

## Battery Protection IC for 1-Cell Pack

### Features

- High accuracy voltage detection circuit
  - Over-charge detection:  $\pm 20\text{mV}$
  - Over-discharge detection voltage:  $\pm 35\text{mV}$
  - Discharge over-current detection:  $\pm 3.5\text{mV}$
  - Charge over-current detection:  $\pm 3.5\text{mV}$
  - Load short-circuiting detection voltage:  $\pm 25\text{mV}/\pm 30\text{mV}$
- High withstand voltage
  - Absolute maximum ratings: 28V max. (COUT,  $V_{\text{DD}} - V_{-}$ )
- Ultra small package: DFN-1.5x1.5-6L
- Lead-free, Sn 100%, Halogen-free

### Description

The NT1715 series are the 1-cell protection IC for lithium-ion/lithium-polymer rechargeable battery pack. The high accuracy voltage, current detector and delay time circuits are built in NT1715 series with state-of-art design and process.

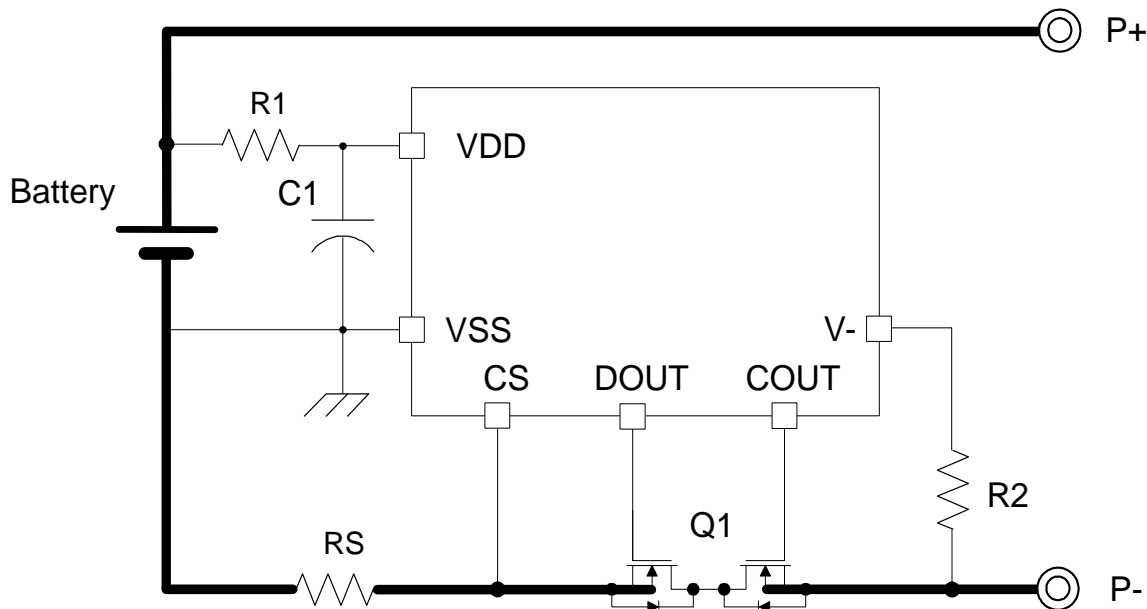
To minimize power consumption, NT1715 series activate power down mode when an over-discharge event is detected (for power-down mode enabled version). Besides, NT1715 series perform protection functions with five external components for miniaturized PCB.

The tiny package is especially suitable for compact portable device, i.e. slim mobile phone, tablet PC battery packs, Digital camera and Bluetooth earphone.

### Applications

- Mobile phone battery packs
- Tablet PC battery packs
- Digital camera battery packs

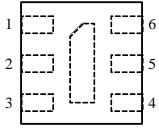
### Typical Application Circuit



These devices have limited build-in ESD protection. The leads must be shorted together or the device placed in conductive foam during storage or handling to prevent electrostatic damage to the MOS gates.

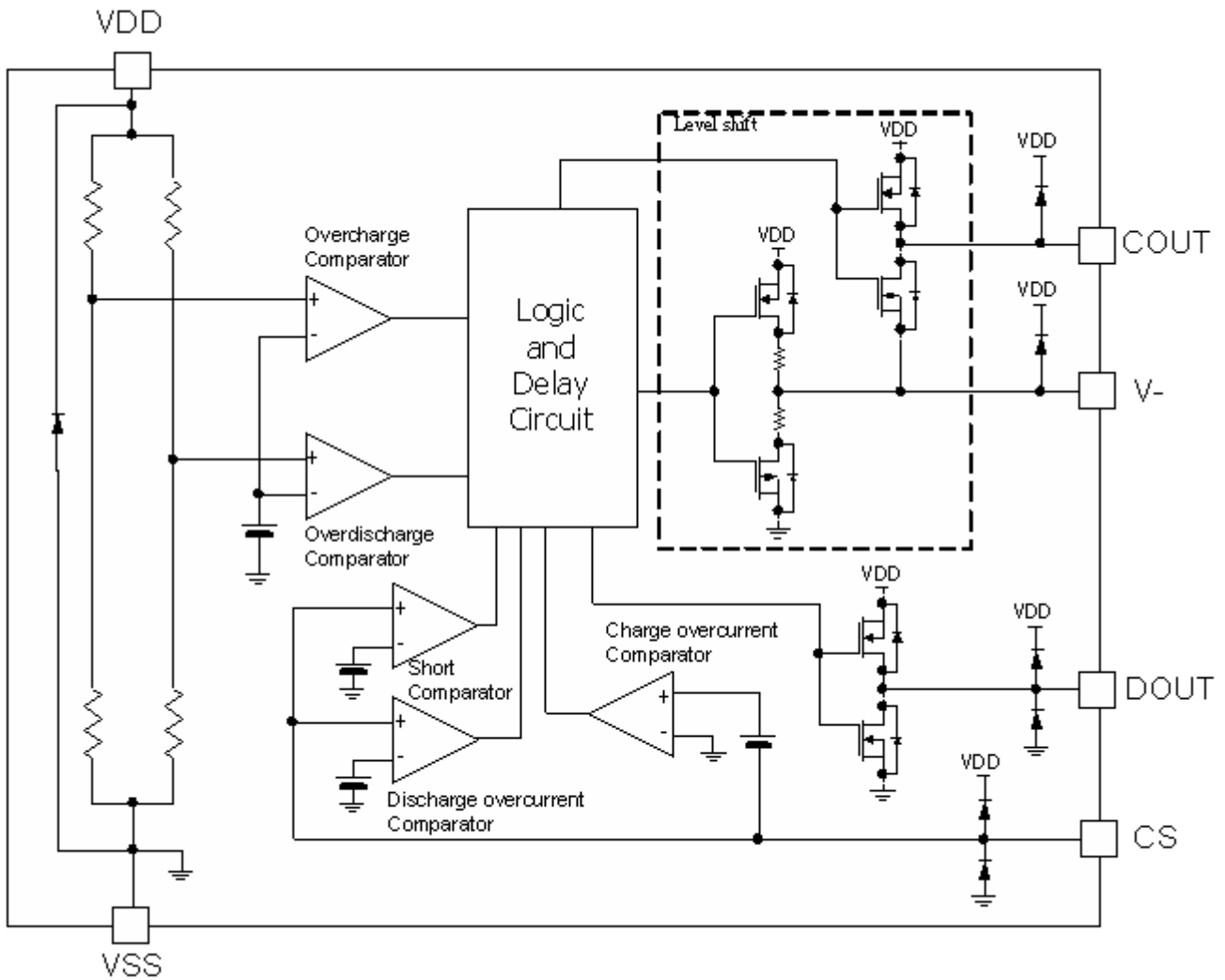
## Package and Pin Configurations

DFN-1.5x1.5-6L

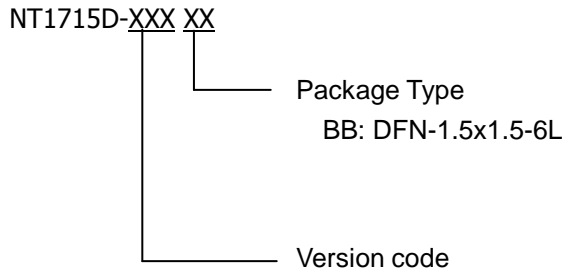


Pin No.	Symbol	Pin description
1	VSS	Connection for negative power supply input
2	VDD	Connection for positive power supply input
3	CS	Current sense pin (low-voltage)
4	V-	Voltage detection between V- pin and VSS pin (Power Down and Load Detector pin)
5	COUT	Connection of charge control FET gate
6	DOUT	Connection of discharge control FET gate

**Functional Block Diagram**



## Ordering Information



## Product version code:

Table1: Detection threshold level table

Product Name	Version Code	Package Type	Over-charge Detection Voltage	Over-charge Release Voltage	Over-discharge detection voltage	Over-discharge release voltage	Discharge over-current detection voltage	Charge over-current detection	Load short-circuiting detection voltage
			$V_{DET1}$ (V)	$V_{REL1}$ (V)	$V_{DET2}$ (V)	$V_{REL2}$ (V)	$V_{DET3}$ (V)	$V_{DET4}$ (V)	$V_{SHORT}$ (V)
NT1715D	UHA	BB	4.480	4.480	2.400	2.400	0.020	-0.030	0.110
NT1715D	UHB	BB	4.475	4.475	2.400	2.400	0.040	-0.025	0.180

**Remark:** Please contact our sales for the products with detection voltage value other than those specified above.

Table2: Latch function

Product Name	Version Code	Latch function of Over-charge	0V Battery Charge Function	Power Down Mode	Auto Over-discharge Recovery Function	Delay Time (Table3)
NT1715D	UHA	Yes	Unavailable	Yes	No	(2)
NT1715D	UHB	Yes	Unavailable	Yes	No	(2)

Table3: Delay Time table

Delay time	Over-charge delay time $t_{VDET1}$ (S)	Over-discharge delay time $t_{VDET2}$ (mS)	Discharge over-current delay time $t_{VDET3}$ (mS)	Charge over-current delay time $t_{VDET4}$ (mS)	Load short-circuiting delay time $t_{SHORT}$ (uS)
(2)	1.00 +/- 30%	20 +/- 30%	12 +/- 33.3%	16 +/- 31.2%	250 +60% /- 28%